

## Model : RSL 616-M

### BUTTON TYPE LOAD CELL (MINIATURE COMPRESSION LOAD CELL)



#### Description

- (RSL-616-M) Miniature Compression Load Cells are suitable for applications where spaces are constraint.
- \* This is constructed from heat treated stainless steel suitable for harsh and hygienic industrial applications.
  - \* It is sealed for IP-65 protection and it has long life.
  - \* Extremely suitable for automation, tensile testing and force measurements.
  - \* RSL-616-M is available with integral load button.

#### Features

- \* 50Kgf to 500 Kgf Capacities.
- \* Complete environmental protection IP65 class.
- \* Standard output 2.0 mV/V available.
- \* Hardened stainless steel construction.
- \* Miniature and low profile.
- \* Easy for installation.
- \* Custom built design available on request

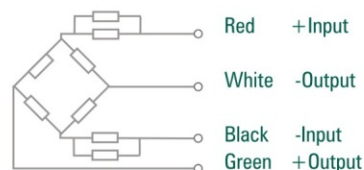
#### Applications

- \* Tensile testing
- \* Force and impact test
- \* Robotics
- \* Test Bench
- \* Automation
- \* Industrial Force Measurement

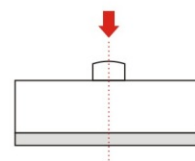
#### Parameters :

Rated Load (Kgs): 8, 10, 50, 100, 200, 500			
Excitation Voltage	10 VDC - Maximum 15 VDC	Cable Length (4 core)	1.5 Mtr.
Nominal Output	2.0 ± 0.2 mV/V	Safe Overload	150 %
Non - Linearity	< ± 0.1 % FSO (Full Scale Output)	Ultimate Overload of Rated	300 %
Hysteresis	< ± 0.1 % FSO	Temp. Compensated Range	0-60 C
Non-Repeatability	< ± 0.1 % FSO	Temp. Effect on Output	< 0.005 % FSO/ C
Creep (30 minutes)	< ± 0.03 % FSO	Temp. Effect on Zero	< 0.005 % FSO/ C
Input Resistance	350 ± 10 Ohms	Deflection	< 0.5 mm at FSO
Output Resistance	350 ± 3 Ohms	Max. communication range	Stainless Steel-17-4 PH
Insulation Resistance (50V)	≥ 1000 Mega Ohms	Environmental Protection Class	IP67

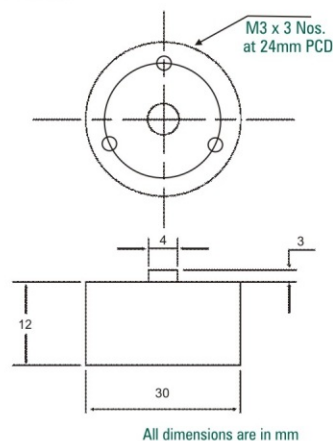
#### Wiring Schematic Diagram :



#### Load Diagram :



#### Dimensions :



All dimensions are in mm

