

## Model : RSL 601

### SINGLE POINT BENDING BEAM LOAD CELL



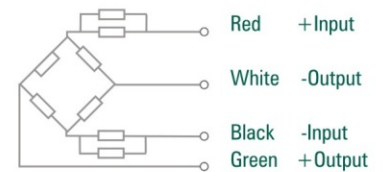
#### Features

- \* Single Point Off-centre Load Measuring Capability.
- \* Economical and Low Profile Cell.
- \* Aluminum-alloy, Colorless anodized,
- \* Glue sealed.

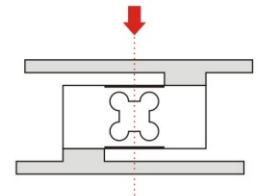
#### Applications

- \* Bench, Counting & Postal Scales.
  - \* Check Weighers.
- (Recommended platform size : 250X350mm)

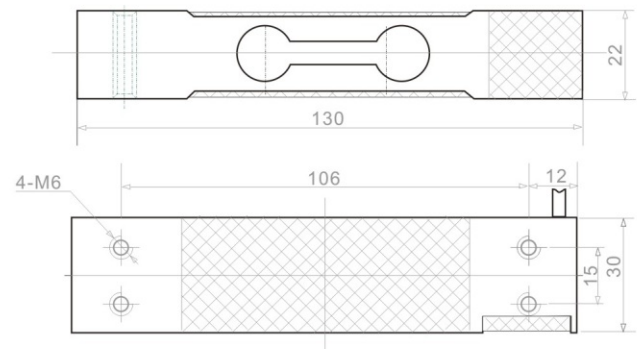
#### Wiring Schematic Diagram :



#### Load Diagram :



#### Dimensions :



#### Parameters :

|  |             |                                 |              |
|--|-------------|---------------------------------|--------------|
| Rated Load (kg.) 3, 5, 6, 10, 15, 20, 25, 30, 35, 40, 45 |             |                                 |              |
| Precision  | C2          | Insulation Resistance(MΩ)       | ≥5000(50VDC) |
| Composition Error  | 0.03 /0.02  | Excitation Voltage (V)          | 5~15 (DC)    |
| Rated Output (mv/v)                                      | 2±0.1       | Compensated temp. Range (°C)    | -10~+40      |
| Non-Linearity (%FS)                                      | 0.03 /0.017 | Use Temp. Range                 | -35~+65 °C   |
| Hysteresis (%FS)   | 0.03 /0.02  | Temp. Effect on Zero (%FS/10°C) | 0.03/0.017   |
| Repeatability(%FS)                                       | 0.01        | Temp. Effect on Span (%FS/10°C) | 0.03/0.017   |
| Creep (%F.S/30min)                                       | 0.02        | Safe Overload (%FS)             | 120          |
| Zero Balance(%FS)  | ±1          | Ultimate Overload (%FS)         | 150          |
| Input Resistance (Ω)                                     | 400±10      | Defend Grade                    | IP67         |
| Output Resistance (Ω)                                    | 350± 2      | Cable                           | 4mm, 0.4mtr. |

