



RS - 201

Digital Weight Transmitter

RUDRRA SENSOR
The load cell Technology



Product Description

This product are widely demanded for the several industrial applications such as to interface load cell for Controllers, PLC Systems and Digital indicators having standard analog inputs which can be current or voltage. These are also known as load transmitter. These are fabricated using the supreme quality raw stuff. Our products are highly accepted and admired by users due to its highly durable service life, unmatched quality, dimensional accuracy, easy use and installation.

It is utilized to transform the signals of one load cell to another remote device which is attuned with process control system. The measuring gauge of the existing device starts with zero to assure the accuracy level; Normal output of the presented apparatus is between 0 to 10 volt levels. It is frequently utilized in control systems and weighing systems. The all technical details about the concern appliance is given in the below table. This Load Cell Amplifier Module is design in such a way that, It will give the best output results.

Application :

- * Signal conditioner
- * Convert to small mV signal into 0-10 VDC, 4-20mA, Rs485,

Key Feature :

- * International approved design
- * Light weight comport & cost effective
- * Din-rail mount digital amplifier
- * LED Display with Keypad for calibration
- * Password protected
- * Vibration filter

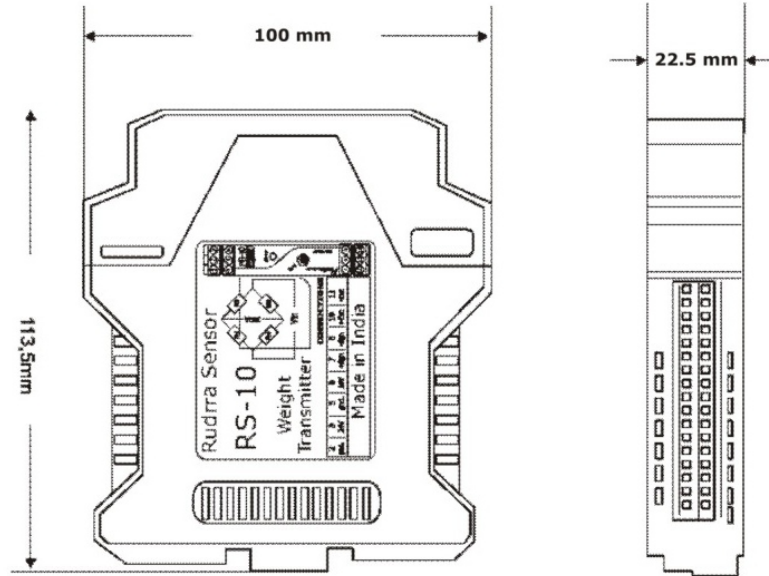


RS - 201

Digital Weight Transmitter

RUDRRA SENSOR
The load cell Technology

Dimensions :



* All dimension are in mm

Parameters : (Analog Load Cell)

Analogue Input Range :	2mV/V loadcell
Supply :	18 - 32V DC
Operating Temperature :	Between -10 °C and +60 °C
Operating Humidity :	Max. %80 RH
External Adjustment :	Zeroing Function
Analogue Output :	0-10V + 4-20 mA + Modbus + 2 Digital Output
Mounting :	DIN-Rail
Front Panel :	7mm 5 Digit LED Display with Keypad
Loadcell Supply Voltage :	12V DC
Loadcell Headlines :	4 pieces 350
Loadcell Connection :	4 wired cable

